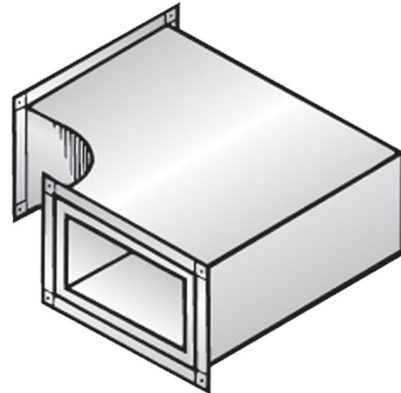
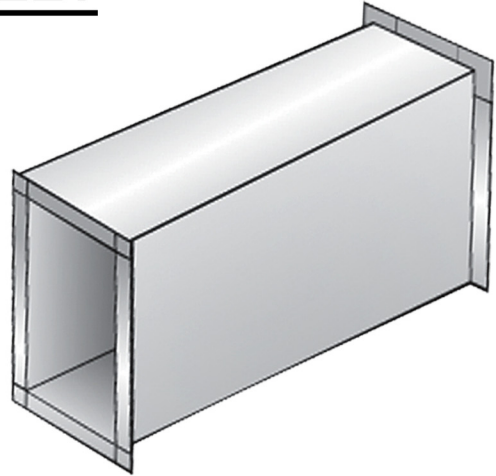


## SUBMITTAL SHEET

- Pacific Duct Inc. Rectangular Ducts and Fittings are fabricated from commercial grade G90 galvanized steel per ASTM-A90, A568, A653, A924 and are in accordance with the latest edition of SMACNA Duct construction standards.
- Reference SMACNA tables 1" - 10" W.G. for construction standards and reinforcement schedule.
- Options of stainless steel, aluminum, paint-lock, and other materials are available upon request.
- All ducts are beaded on 12" centers, with first bead 6" from end for extra strength. Cross breaking is available upon request.
- Standard duct lengths are 4', 5', or 6'. Other duct lengths are available in any length requested.
- All slips and drives, nuts, bolts, gaskets, reinforcements and misc. hardware are included with duct work.
- All ducts and fittings are available bare, lines, or wrapped.
- All rectangular ducts and fittings are shipped assembled.



\*Submittals and Specs are subject to change without notice.

### Alternative Joint Connectors

Slip & Drive	Ductmate
TDC	Other _____

### Insulation Options

1/2"	1"
1 1/2"	2"

### Duct Seam Construction

Pittsburg  
 Snap-Lock

### Fittings Seam Construction

Pittsburg  
 Snap-Lock

**Job Name:** \_\_\_\_\_

**Location:** \_\_\_\_\_

**Mechanical Contractor:** \_\_\_\_\_

**Job No:** \_\_\_\_\_

**Manufacturer:** \_\_\_\_\_

**Date:** \_\_\_\_\_